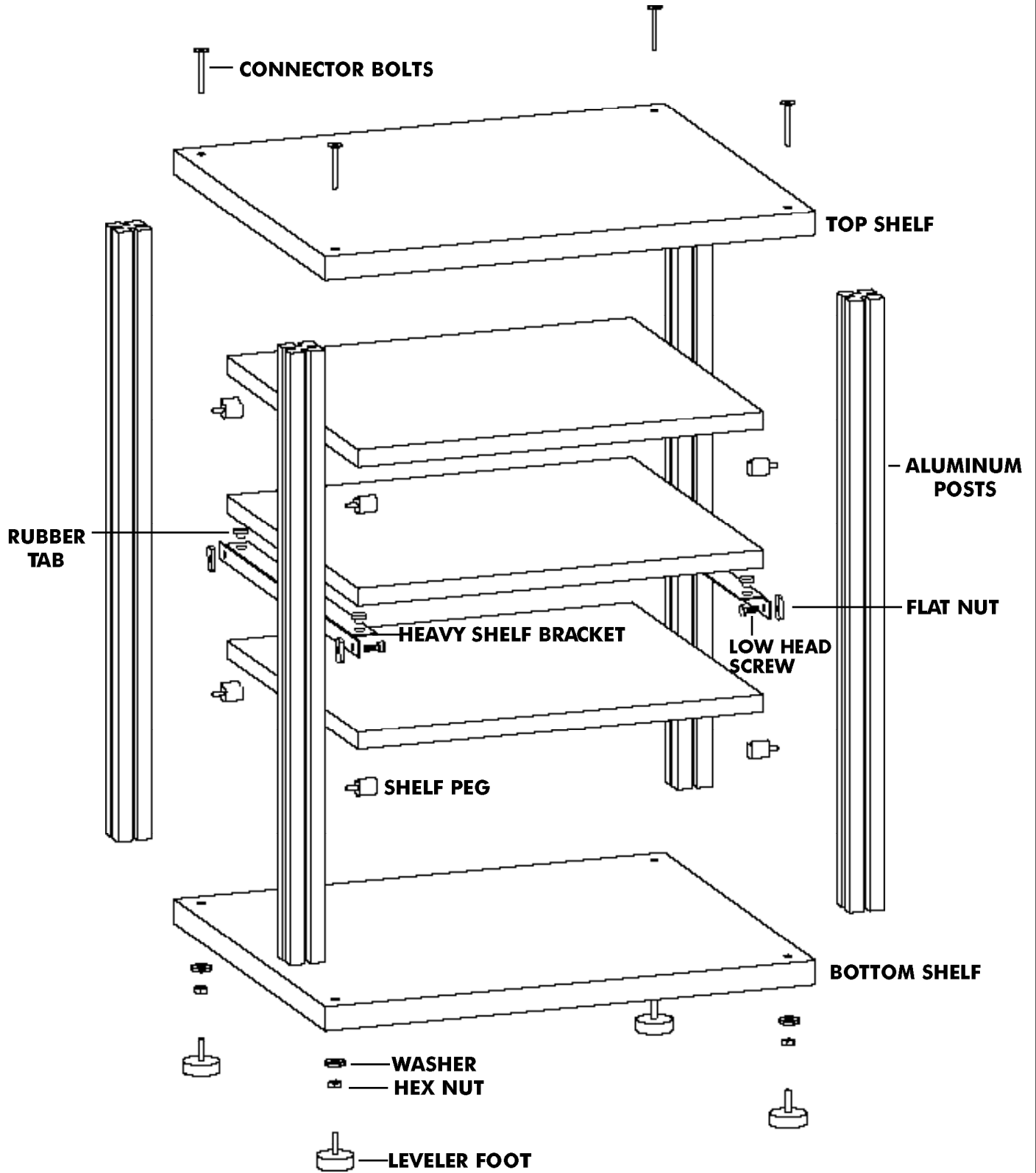


SYNERGY BASE UNIT - SU20 / SU30 / SU40



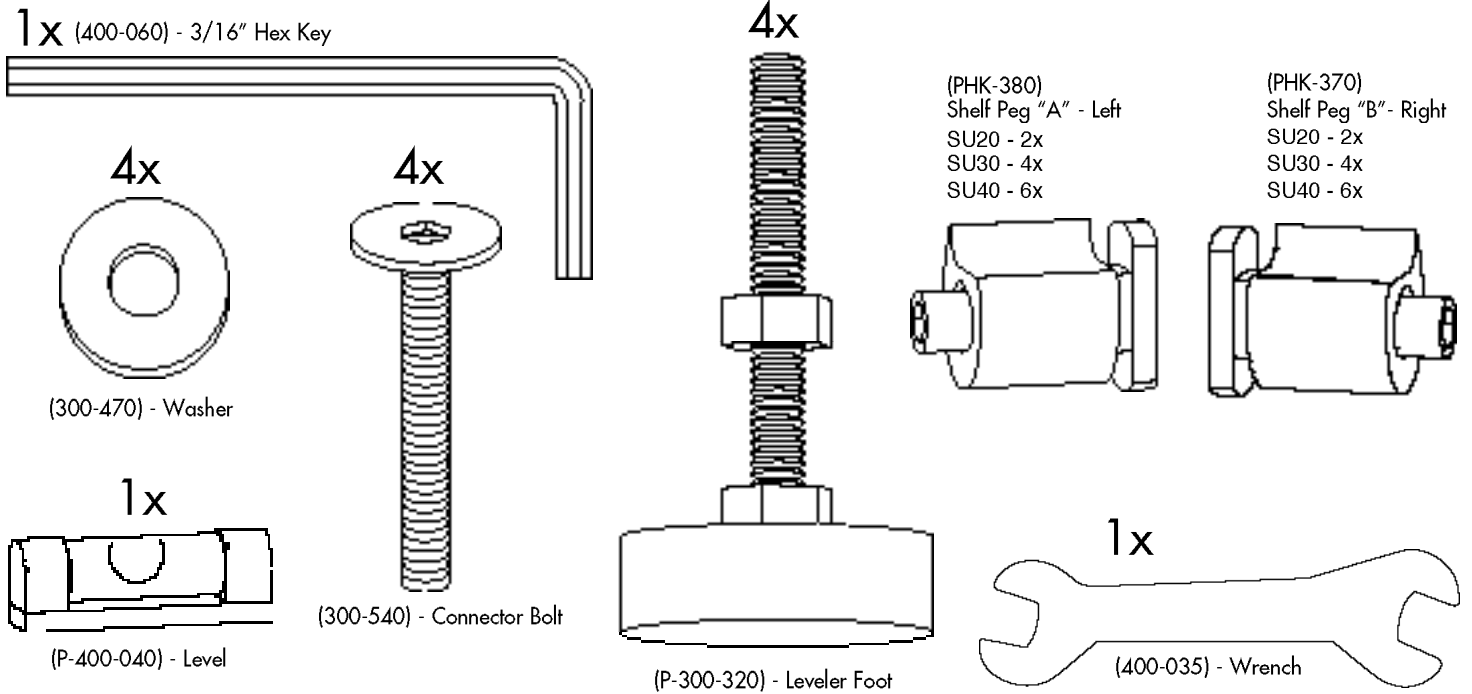
WARNING: If you are installing accessories such as doors or drawers to the base unit, read all instructions for the accessory and install in conjunction with these instructions.



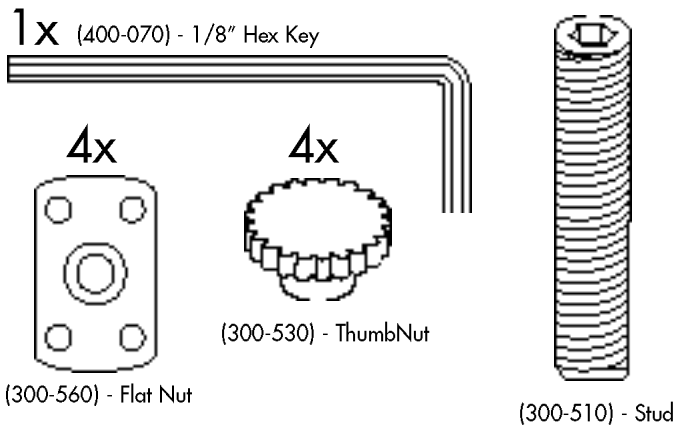
Parts

- 4 - Aluminum Post
- 1 - Top Shelf
- 1 - Bottom Shelf
- 1 - Rear Panel

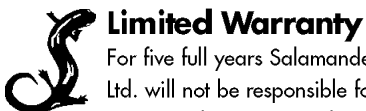
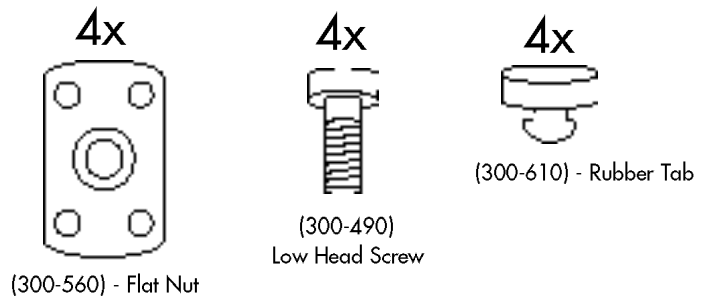
- Adjustable Shelf (SU20 - 1) • (SU30 - 3) • (SU40 - 4)
- Heavy Duty Shelf Bracket (SU30 - 2) • (SU40 - 2)
- 1 - Spacer Tool



Rear Panel Bag - PHK-240



Heavy Shelf Bracket Bag - PHK-150 (Only SU30 / SU40)



Limited Warranty

For five full years Salamander Designs Ltd will repair or replace, at our option, any product defective in materials or craftsmanship. Salamander Designs Ltd. will not be responsible for any damage to or destruction of other equipment consequential to our equipment failure. Defective product must be given Return Authorization and is to be returned to the factory prepaid, in the original carton and packing material. Any damage incurred in a shipment not in original packaging shall be the responsibility of the owner. Warranty repairs will be returned prepaid, via UPS within the continental U.S.A. only.

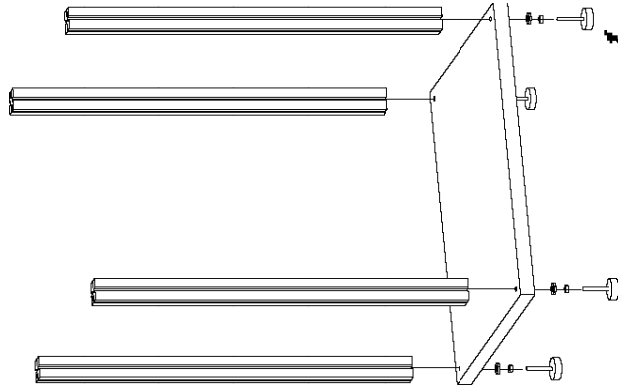
Salamander Designs Ltd. 800-535-5659

www.SalamanderDesigns.com

1 Connect Posts to Bottom Shelf

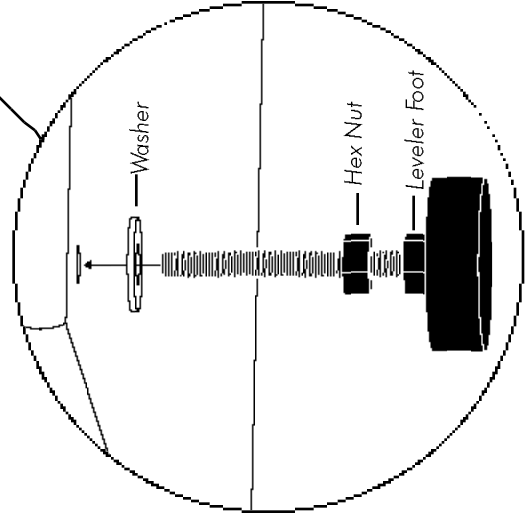
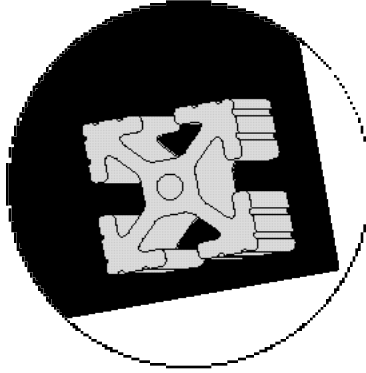


WARNING: Tighten by screwing the leveler foot NOT the post.



A. Square Post

Square the post to the bottom shelf.



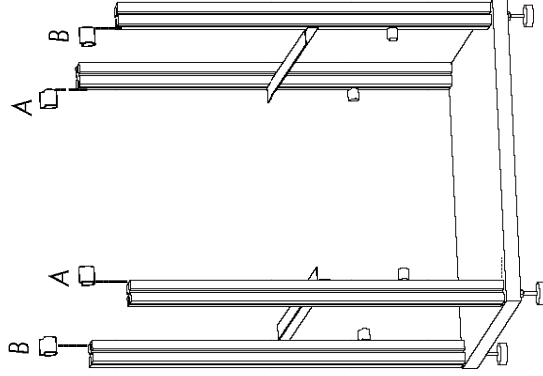
B. Connect Post

Screw foot with metal washer through bottom shelf and onto the end of the post. Hand tighten fully then use wrench on hex nut to back tighten nut onto underside of shelf.

2 Add Shelf Pegs

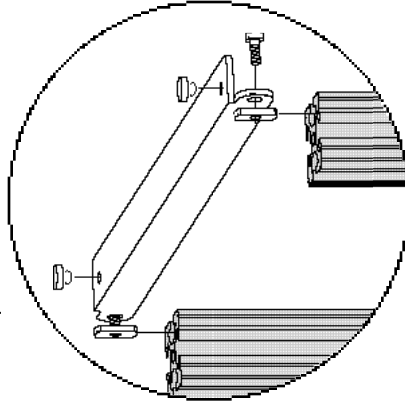


WARNING: If you are installing an optional door or drawer refer to specific instructions before proceeding.



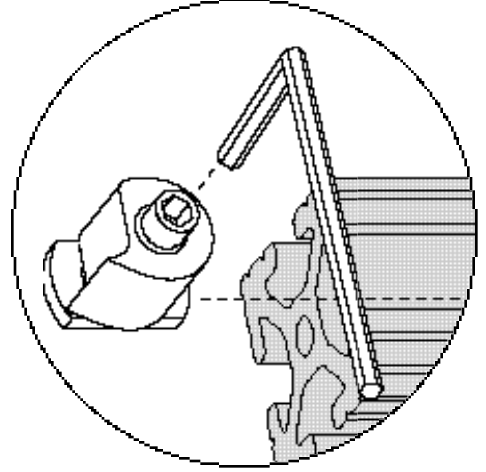
A.

Insert all shelf pegs and heavy shelf brackets (SU30 / SU40 only) down each post.



B.

Gently tighten pegs and brackets with the hex key to desired position.

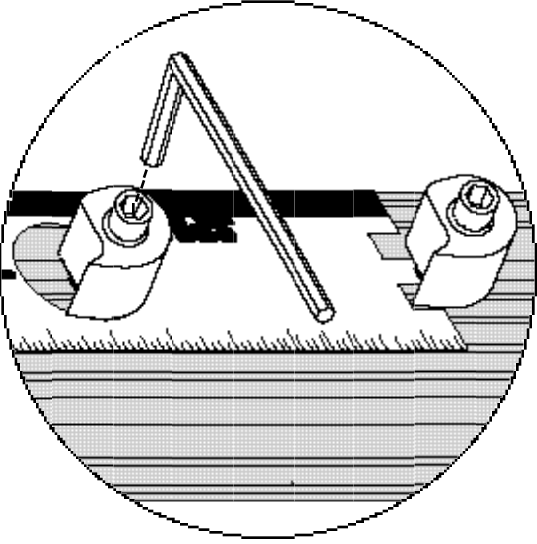


3 Adjust Shelf Pegs & Add Shelves

A.

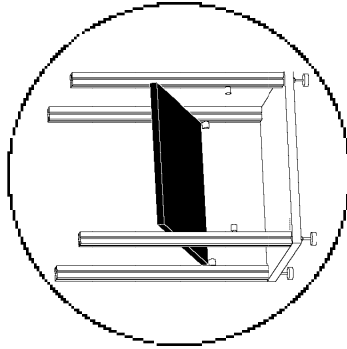
Adjusting Shelves

Insert peg down the post channel and position the peg through the Spacer and tighten. You may also consider using books or CD's for shelf spacing.



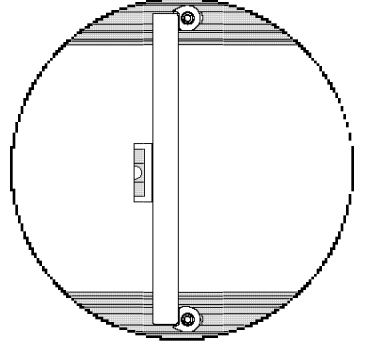
B. Placing Shelves

Place shelves from the bottom up. Angle the shelf in between the front post and set on top of shelf pegs and heavy duty brackets.

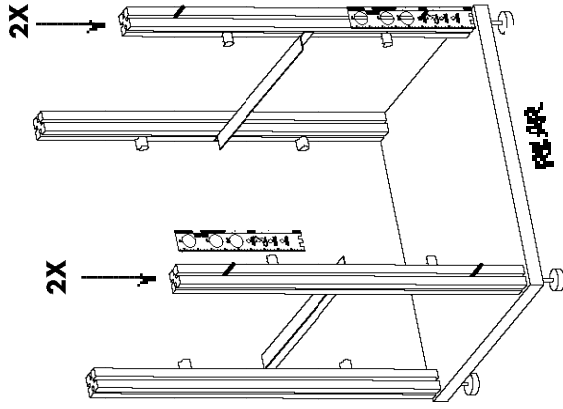


C. Fine Tuning

Use the bubble level to precisely adjust the shelves. Be sure to level both side to side as well as front to back. Use the hex key to tighten each peg.

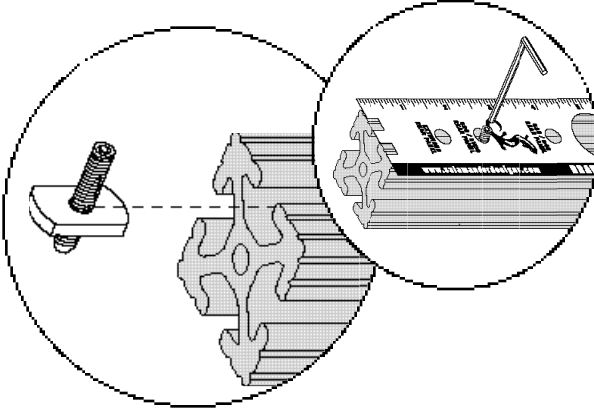


4 Attach Rear Panel



A. Insert Hardware

Combine the 1" threaded studs with the flat nuts. Slide hardware into rear channel



STOP

Side Panels

Before enclosing the unit with the top shelf install side panels (if applicable). See Side Panel Instructions

B. Secure Rear Panel

Secure thumb nuts to finish panel installation.

C. Install Top

Insert the four connector bolts and tighten shelf down.

